

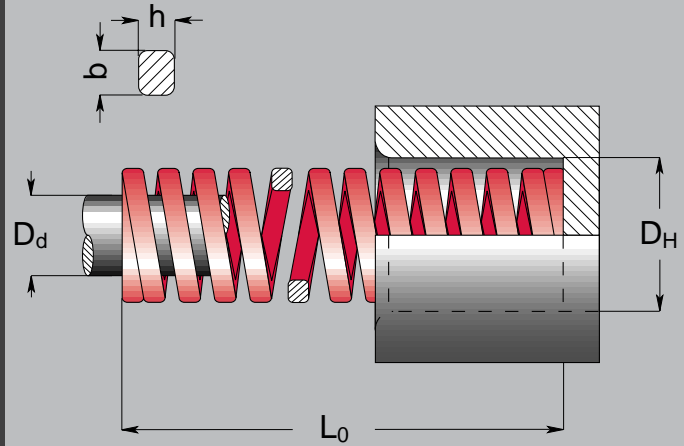
CLICK FOR METRIC

Rectangular Heavy Load
Red color

RHL

ISO 10243

ORDERING EXAMPLE: (25) RHL 100-100



D _H	D _d	L ₀	Cat No.	Rate	A 20% Long Life		B 25% Medium Life		C 30% Max. Deflection		D Compressed Solid			
					in.	lbs	in.	lbs	in.	lbs	in.	lbs		
b x h		in.		lbs / 0.1 in.	in.		in.		in.		in.			
3/8	3/16	1	RHL 37 - 100	12.6	0.20	25	0.25	31	0.30	37	0.36	46		
		1 1/4	RHL 37 - 125	10.0	0.25	25	0.31	32	0.38	38	0.48	48		
		1 1/2	RHL 37 - 150	9.8	0.30	29	0.37	36	0.45	44	0.52	51		
		1 3/4	RHL 37 - 175	8.6	0.35	30	0.43	37	0.52	45	0.59	51		
		2	RHL 37 - 200	7.3	0.40	29	0.50	37	0.60	44	0.77	56		
		2 1/2	RHL 37 - 250	6.1	0.50	31	0.63	38	0.76	46	0.86	52		
		3	RHL 37 - 300	4.3	0.60	26	0.75	32	0.90	38	1.10	47		
		12	RHL 37 - 1200	1.2	2.40	29	3.00	36	3.60	43	5.01	60		
		1/2	9/32	1	RHL 50 - 100	24.1	0.20	47	0.25	60	0.30	71	0.39	93
				1 1/4	RHL 50 - 125	19.0	0.25	48	0.31	60	0.38	72	0.54	102
1 1/2	RHL 50 - 150			16.7	0.30	50	0.37	63	0.45	75	0.57	96		
1 3/4	RHL 50 - 175			14.1	0.35	49	0.43	61	0.52	73	0.71	100		
2	RHL 50 - 200			11.2	0.40	45	0.50	56	0.60	68	0.88	98		
2 1/2	RHL 50 - 250			8.6	0.50	43	0.63	54	0.76	65	1.07	92		
3	RHL 50 - 300			7.5	0.60	45	0.75	56	0.90	68	1.30	98		
3 1/2	RHL 50 - 350			6.5	0.70	46	0.88	57	1.05	68	1.53	100		
4	RHL 50 - 400			4.8	0.80	38	1.00	48	1.20	58	1.72	83		
12	RHL 50 - 1200			1.6	2.40	38	3.00	48	3.60	58	5.50	88		
5/8	11/32	1	RHL 62 - 100	43.3	0.20	85	0.25	107	0.30	128	0.33	143		
		1 1/4	RHL 62 - 125	30.2	0.25	76	0.31	95	0.38	114	0.41	125		
		1 1/2	RHL 62 - 150	27.7	0.30	83	0.37	104	0.45	124	0.54	149		
		1 3/4	RHL 62 - 175	24.5	0.35	85	0.43	106	0.52	127	0.63	153		
		2	RHL 62 - 200	21.2	0.40	85	0.50	107	0.60	128	0.74	158		
		2 1/2	RHL 62 - 250	17.3	0.50	87	0.63	109	0.76	131	0.98	170		
		3	RHL 62 - 300	14.7	0.60	88	0.75	110	0.90	132	1.15	169		
		3 1/2	RHL 62 - 350	12.4	0.70	87	0.88	109	1.05	130	1.36	169		
		4	RHL 62 - 400	11.0	0.80	89	1.00	111	1.20	133	1.54	170		
		4 1/2	RHL 62 - 450	9.0	0.91	81	1.13	102	1.36	122	1.73	155		
12	RHL 62 - 1200	4.1	2.40	97	3.00	122	3.60	146	4.08	166				
3/4	3/8	1	RHL 75 - 100	123.4	0.20	243	0.25	306	0.30	365	0.33	403		
		1 1/4	RHL 75 - 125	96.0	0.25	242	0.31	302	0.38	363	0.43	412		
		1 1/2	RHL 75 - 150	73.7	0.30	221	0.37	276	0.45	331	0.49	363		
		1 3/4	RHL 75 - 175	64.0	0.35	222	0.43	277	0.52	333	0.59	378		
		2	RHL 75 - 200	53.7	0.40	216	0.50	271	0.60	324	0.69	372		
		2 1/2	RHL 75 - 250	41.2	0.50	208	0.63	260	0.76	311	0.89	367		
		3	RHL 75 - 300	34.1	0.60	204	0.75	255	0.90	306	1.08	369		
		3 1/2	RHL 75 - 350	28.9	0.70	202	0.88	253	1.05	303	1.25	360		
		4	RHL 75 - 400	25.3	0.80	203	1.00	254	1.20	304	1.48	373		
		4 1/2	RHL 75 - 450	21.9	0.91	199	1.13	249	1.36	298	1.68	368		
		5	RHL 75 - 500	19.5	1.00	195	1.25	244	1.50	292	1.79	349		
		5 1/2	RHL 75 - 550	17.7	1.10	195	1.38	244	1.65	293	1.97	349		
6	RHL 75 - 600	16.1	1.20	193	1.50	241	1.80	289	2.20	354				
12	RHL 75 - 1200	8.6	2.40	206	3.00	258	3.60	309	4.49	385				

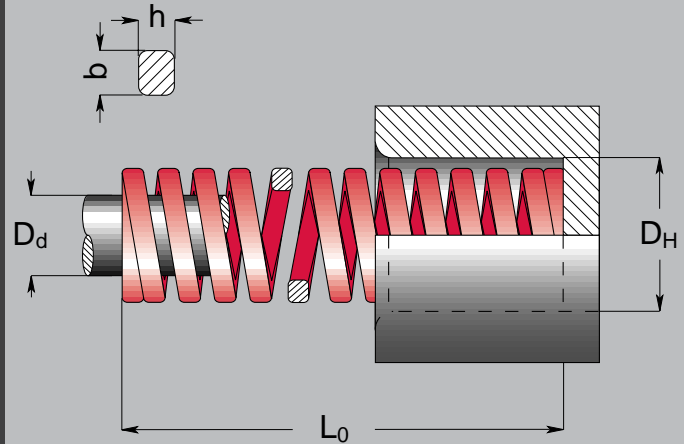
CLICK FOR INCH

Rectangular Heavy Load
Red color

RHL

ISO 10243

ORDERING EXAMPLE: (25) RHL 100-100



D _H	D _d	L ₀	Cat No.	Rate	A 20% Long Life		B 25% Medium Life		C 30% Max. Deflection		D Compressed Solid					
					mm	N	mm	N	mm	N	mm	N				
10	5	1.9 x 1.5	25	RHL 37 - 100	22.1	5.0	111	6.3	139	7.5	166	9.2	203			
			32	RHL 37 - 125	17.5	6.4	112	8.0	140	9.6	168	12.1	212			
			38	RHL 37 - 150	17.1	7.6	130	9.5	162	11.4	195	13.2	226			
			44	RHL 37 - 175	15.0	8.8	132	11.0	165	13.2	198	15.1	227			
			51	RHL 37 - 200	12.8	10.2	131	12.8	164	15.3	196	19.5	250			
			64	RHL 37 - 250	10.7	12.8	137	16.0	171	19.2	205	21.8	233			
			76	RHL 37 - 300	7.5	15.2	114	19.0	143	22.8	171	27.9	209			
			305	RHL 37 - 1200	2.1	61.0	128	76.3	160	91.5	192	127.2	267			
			12.5	6.3	2.4 x 1.9	25	RHL 50 - 100	42.1	5.0	211	6.3	265	7.5	316	9.8	413
						32	RHL 50 - 125	33.2	6.4	212	8.0	266	9.6	319	13.6	452
38	RHL 50 - 150	29.3				7.6	223	9.5	278	11.4	334	14.6	428			
44	RHL 50 - 175	24.6				8.8	216	11.0	271	13.2	325	18.1	445			
51	RHL 50 - 200	19.6				10.2	200	12.8	251	15.3	300	22.3	437			
64	RHL 50 - 250	15.0				12.8	192	16.0	240	19.2	288	27.3	410			
76	RHL 50 - 300	13.2				15.2	201	19.0	251	22.8	301	33.1	437			
89	RHL 50 - 350	11.4				17.8	203	22.3	254	26.7	304	38.9	443			
102	RHL 50 - 400	8.4				20.4	171	25.5	214	30.6	257	43.8	368			
305	RHL 50 - 1200	2.8				61.0	171	76.3	214	91.5	256	139.7	391			
16	8	3.1 x 2.5	25	RHL 62 - 100	75.7	5.0	379	6.3	477	7.5	568	8.4	636			
			32	RHL 62 - 125	52.8	6.4	338	8.0	422	9.6	507	10.5	554			
			38	RHL 62 - 150	48.5	7.6	369	9.5	461	11.4	553	13.6	660			
			44	RHL 62 - 175	42.8	8.8	377	11.0	471	13.2	565	15.9	681			
			51	RHL 62 - 200	37.1	10.2	378	12.8	475	15.3	568	18.9	701			
			64	RHL 62 - 250	30.3	12.8	388	16.0	485	19.2	582	24.9	754			
			76	RHL 62 - 300	25.7	15.2	391	19.0	488	22.8	586	29.2	750			
			89	RHL 62 - 350	21.7	17.8	386	22.3	484	26.7	579	34.5	749			
			102	RHL 62 - 400	19.3	20.4	394	25.5	492	30.6	591	39.1	755			
			115	RHL 62 - 450	15.7	23.0	361	28.8	452	34.5	542	44.0	691			
305	RHL 62 - 1200	7.1	61.0	433	76.3	542	91.5	650	103.6	736						
20	10	4.0 x 3.3	25	RHL 75 - 100	216	5.0	1080	6.3	1361	7.5	1620	8.3	1793			
			32	RHL 75 - 125	168	6.4	1075	8.0	1344	9.6	1613	10.9	1831			
			38	RHL 75 - 150	129	7.6	980	9.5	1226	11.4	1471	12.5	1613			
			44	RHL 75 - 175	112	8.8	986	11.0	1232	13.2	1478	15.0	1680			
			51	RHL 75 - 200	94.0	10.2	959	12.8	1203	15.3	1438	17.6	1654			
			64	RHL 75 - 250	72.1	12.8	923	16.0	1154	19.2	1384	22.6	1629			
			76	RHL 75 - 300	59.7	15.2	907	19.0	1134	22.8	1361	27.5	1642			
			89	RHL 75 - 350	50.5	17.8	899	22.3	1126	26.7	1348	31.7	1601			
			102	RHL 75 - 400	44.2	20.4	902	25.5	1127	30.6	1353	37.5	1658			
			115	RHL 75 - 450	38.4	23.0	883	28.8	1106	34.5	1325	42.6	1636			
			127	RHL 75 - 500	34.1	25.4	866	31.8	1084	38.1	1299	45.5	1552			
			139	RHL 75 - 550	31.0	28.0	868	35.0	1085	42.0	1302	50.1	1553			
			152	RHL 75 - 600	28.2	30.4	857	38.0	1072	45.6	1286	55.8	1574			
305	RHL 75 - 1200	15.0	61.0	915	76.3	1145	91.5	1373	114.1	1712						