

MOELLER

PRECISION TOOL



TRUE STRIP™

U.S. PATENT 7,581,475
EUROPEAN PATENT 1922191
CHINESE PATENT ZL200680033120.3
ADDITIONAL INTERNATIONAL PATENTS PENDING

**THE WORLD'S
HIGHEST PERFORMANCE
STANDARD MECHANICAL
PUNCH STRIPPER**

CERTIFIED
ISO
9001:2008

**M-CAD
DESIGN**

INCH / METRIC CATALOG



U.S. PATENT 7,581,475 • EUROPEAN PATENT 1922191 • CHINESE PATENT ZL200680033120.3
 ADDITIONAL INTERNATIONAL PATENTS PENDING

- Fits standard Heavy and Light Duty Ball Lock and Shoulder Style Retainers.
- Exclusive preloaded die spring for extended life.
- A variety of springs are available for a wide range of stripping forces. See page 11 for details.
- Custom strippers for contoured panels, multi-hole punches and non-marring applications.
- Eliminates expensive custom stripper plates.
- The industries strongest and most accurate off the shelf mechanical stripper.
- Innovative One-Piece, self-contained construction.
- Special multi-hole retainer designs available upon request.

BENEFITS & FEATURES:

The stripper is precision fit to the housing and slides on both the body and shoulder to provide a **dual guiding condition** guaranteeing stability during the entire stroke.

The stripper unit's housing is precision bored and roller burnished to a high micro finish providing smooth stripper guidance and support.

The spring cap is installed using a hex wrench tool and is threaded to a positive stop, which provides a flush mounting surface and preloads the spring for optimal life.

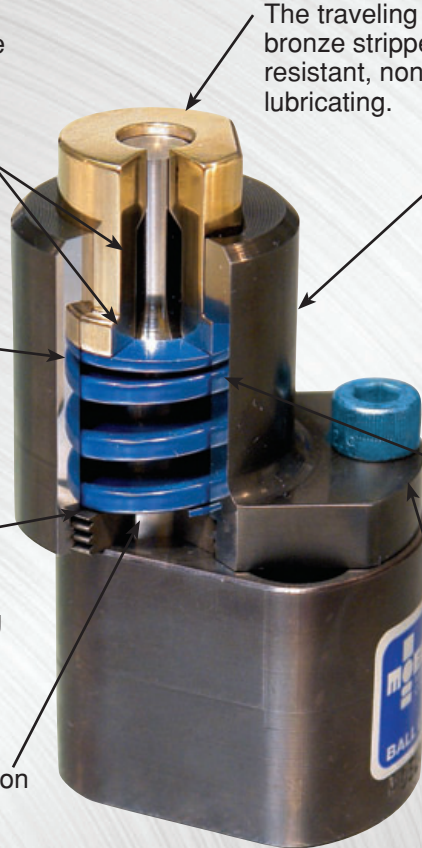
The spring cap has a precision slip fit to the punch shank accurately locating the assembly.

The traveling manganese bronze stripper is shock resistant, non-marring and self-lubricating.

The housing is made from durable pre-hardened steel finished with black oxide for corrosion resistance. Critical operating surfaces are precisely machined providing superb squareness and alignment which assures long life even under side load conditions.

The stripper mechanical die spring assures optimal stripping forces and maximum life. There are four spring types available offering the ability to adjust stripping forces to match special applications.

The attachment foot is designed to fully isolate all stripping forces and side load **increasing punch life.**





CLUSTER PUNCH RETAINER ASSEMBLY



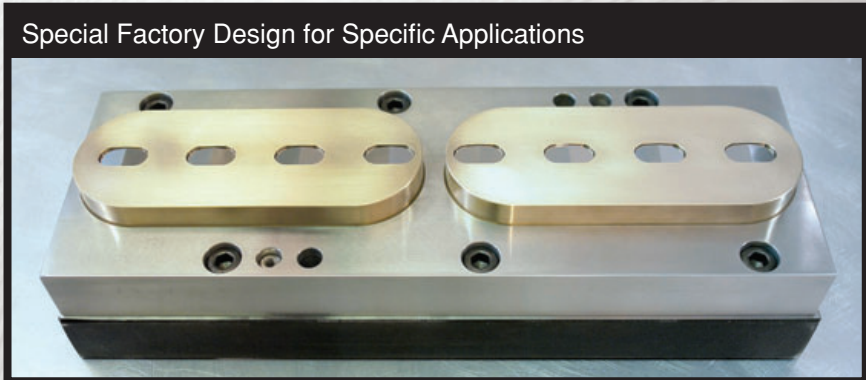
40.0 mm Punch Shank Diameter Example



32.0 mm Punch Shank
Diameter Example



Standard
Units Adapted
to Existing
Special
Retainer



Special Factory Design for Specific Applications

ENGINEERING & DESIGN PROVIDED

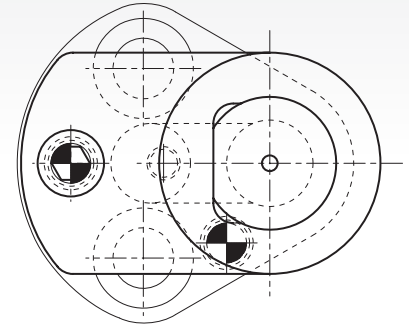


STANDARD STYLE RETAINER

HEAVY DUTY BALL LOCK

METRIC

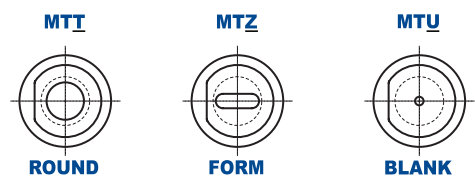
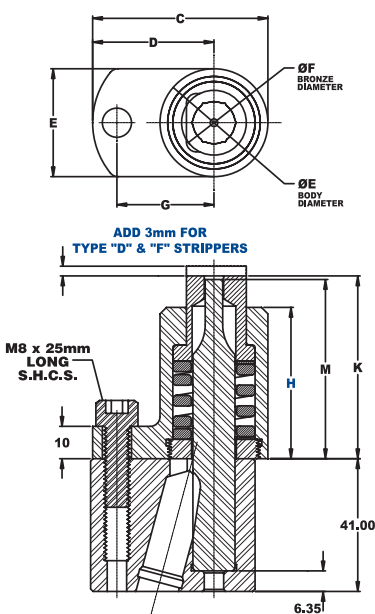
U.S. PATENT 7,581,475 • EUROPEAN PATENT 1922191 • CHINESE PATENT ZL20068003120.3 • ADDITIONAL INTERNATIONAL PATENTS PENDING



SPECIFY AT TIME OF ORDER:

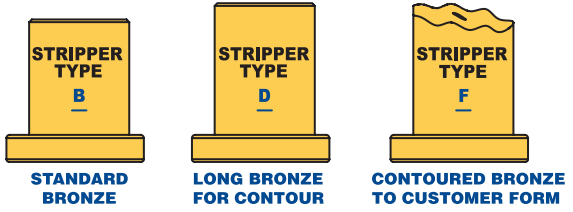
- If retainer and punch are required, please purchase as additional line items at time of order.
- If panel contour is required on stripper face, please specify at time of order and provide surface data. P.O.R.
- Denote punch point dimensions at time of order for factory machining.

STANDARD UNIT



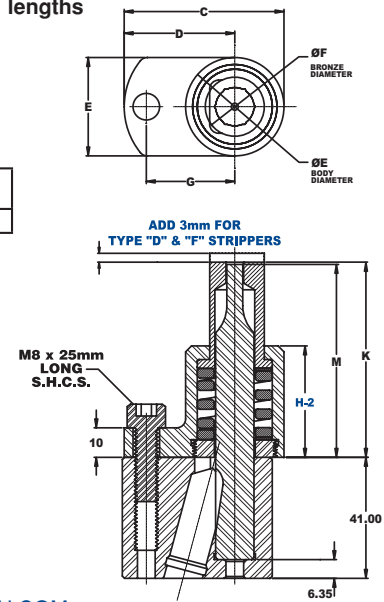
SIZE	PUNCH		PUNCH SHANK DIA.	PUNCH LENGTH	PUNCH STRIPPER			LONG REACH
METRIC	BALL LOCK			80 90 100	B	D	F	LR
M	ROUND	FORM						
	T	Z						

MTT 10 - 80 / SB / LR



LR LONG REACH / COMPACT UNIT

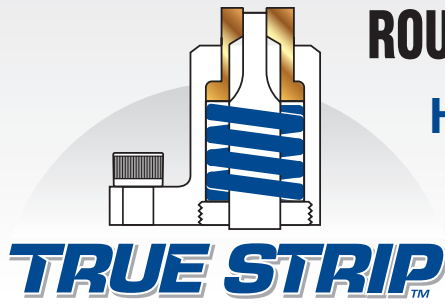
Note: Only available in 90mm & 100mm lengths



CAD FILES AVAILABLE FOR DOWNLOAD AT WWW.MOELLERPUNCH.COM

COMPLETE ASSEMBLY CATALOG NO.	C	D	E	F	G	H	H-2	K	M	STANDARD MAX TRAVEL FROM K-DIM. [BLUE]	LONG REACH/COMPACT MAX TRAVEL FROM K-DIM. [BLUE]	STANDARD MAX TRAVEL FROM K-DIM [RED]	LONG REACH/COMPACT MAX TRAVEL FROM K-DIM. [RED]
MT_10-80/S__						37.74		45.7	45.1	8.3	8.3	6.3	6.3
MT_10-90/S__	47.4	33.9	27	15	26.9	46.74	37.74	55.7	55.1				
MT_10-100/S__						54.52		65.7	65.1				
MT_13-80/S__						37.74		45.7	45.1	8.0	8.0	6.5	6.5
MT_13-90/S__	54.1	37.5	33.3	20	30	46.74	37.74	55.7	55.1				
MT_13-100/S__						54.52		65.7	65.1				
MT_16-80/S__						37.74		45.7	45.1	9.4	9.4	7.4	7.4
MT_16-90/S__	58.7	38.7	40	27	31.8	46.74	37.74	55.7	55.1				
MT_16-100/S__						54.52		65.7	65.1				
MT_20-80/S__						37.74		45.7	45.1	9.1	9.1	7.4	7.4
MT_20-90/S__	65.4	42.4	46.1	33	33.5	46.74	37.74	55.7	55.1				
MT_20-100/S__						54.52		65.7	65.1				
MT_25-80/S__						37.74		45.7	45.1	10.1	10.1	8.4	8.4
MT_25-90/S__	74.9	47.1	55.6	42.5	40.6	46.74	37.74	55.7	55.1				
MT_25-100/S__						54.52		65.7	65.1				
MT_32-80/S__						37.74		45.7	45.1	9.7	9.7	7.6	7.6
MT_32-90/S__	78.9	47.1	63.5	50.6	40.6	46.74	37.74	55.7	55.1				
MT_32-100/S__						54.52		65.7	65.1				
MT_40-80/S__						37.74		45.7	45.1	8.4	8.4	7.2	7.2
MT_40-90/S__	90.8	54.5	72.5	59.7	44	46.74	37.74	55.7	55.1				
MT_40-100/S__						54.52		65.7	65.1				

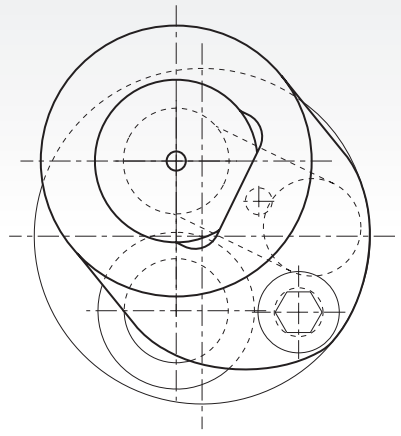
* For Light Duty Ball Lock application reference page 8 and page 9



ROUND ECONOMY STYLE RETAINER

HEAVY DUTY BALL LOCK

METRIC

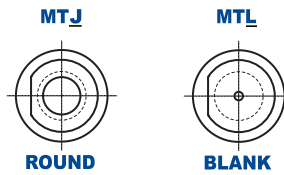
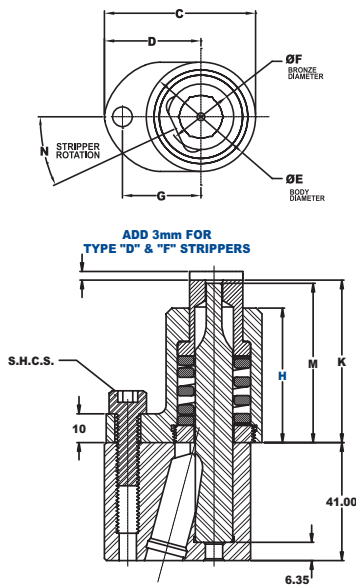


U.S. PATENT 7,581,475 • EUROPEAN PATENT 1922191 • CHINESE PATENT ZL200680033120.3 • ADDITIONAL INTERNATIONAL PATENTS PENDING

SPECIFY AT TIME OF ORDER:

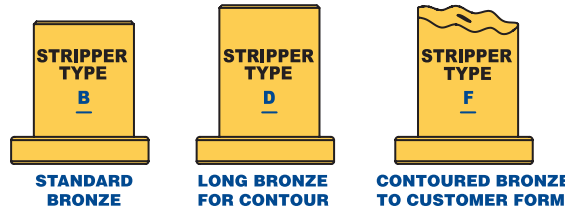
- If retainer and punch are required, please purchase as additional line items at time of order.
- If panel contour is required on stripper face, please specify at time of order and provide surface data. P.O.R.
- Denote punch point dimensions at time of order for factory machining.

STANDARD UNIT



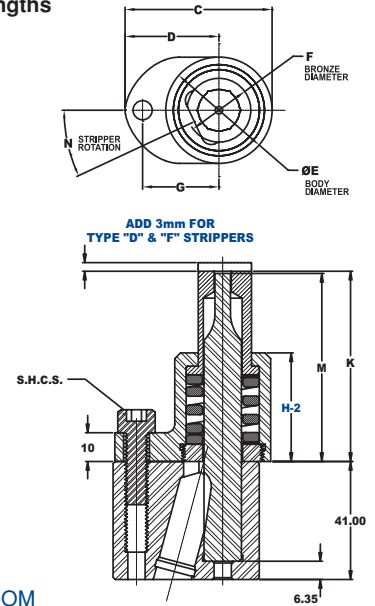
SIZE	PUNCH		PUNCH SHANK DIA.	PUNCH LENGTH			PUNCH STRIPPER			LONG REACH
METRIC	BALL LOCK			80	90	100	B	D	F	LR
M	ROUND	BLANK								
	J	L								

MTJ 10 - 80 / SB / LR



LR LONG REACH / COMPACT UNIT

Note: Only available in 90mm & 100mm lengths



CAD FILES AVAILABLE FOR DOWNLOAD AT WWW.MOELLERPUNCH.COM

COMPLETE ASSEMBLY CATALOG NO.	C	D	E	F	G	H	H-2	K	M	N	STANDARD MAX TRAVEL FROM K-DIM. [BLUE]	LONG REACH/COMPACT MAX TRAVEL FROM K-DIM. [BLUE]	STANDARD MAX TRAVEL FROM K-DIM [RED]	LONG REACH/COMPACT MAX TRAVEL FROM K-DIM. [RED]	S.H.C.S.
MT_10-80/S_	40	26.5	27	15	21	37.74	37.74	45.7	45.1	22.5°	8.3	8.3	6.3	6.3	6mm x 1.0 25mm LONG
MT_10-90/S_						46.74		55.7	55.1		11.1		8.4		
MT_10-100/S_						54.52		65.7	65.1		10.9		8.5		
MT_13-80/S_	46.1	29.4	33.3	20	23.9	37.74	37.74	45.7	45.1	25°	8.0	8.0	6.5	6.5	
MT_13-90/S_						46.74		55.7	55.1		10.9		8.5		
MT_13-100/S_						54.52		65.7	65.1		10.9		8.5		
MT_16-80/S_	50	30	40	27	24.5	37.74	37.74	45.7	45.1	18.5°	9.4	9.4	7.4	7.4	
MT_16-90/S_						46.74		55.7	55.1		13		9.5		
MT_16-100/S_						54.52		65.7	65.1		13		9.5		
MT_20-80/S_	59	36	46.1	33	29	37.74	37.74	45.7	45.1	18°	9.1	9.1	7.4	7.4	
MT_20-90/S_						46.74		55.7	55.1		11.0		8.9		
MT_20-100/S_						54.52		65.7	65.1		11.0		8.9		
MT_25-80/S_	68.3	40.5	55.6	42.5	33.5	37.74	37.74	45.7	45.1	23°	10.1	10.1	8.4	8.4	
MT_25-90/S_						46.74		55.7	55.1		10.6		8.9		
MT_25-100/S_						54.52		65.7	65.1		10.6		8.9		
MT_32-80/S_	79.4	47.6	63.5	50.6	40.6	37.74	37.74	45.7	45.1	20°	9.7	9.7	7.6	7.6	
MT_32-90/S_						46.74		55.7	55.1		11.8		7.7		
MT_32-100/S_						54.52		65.7	65.1		11.8		7.7		
MT_40-80/S_	87.2	51	72.5	59.7	44	37.74	37.74	45.7	45.1	20°	8.4	8.4	7.2	7.2	
MT_40-90/S_						46.74		55.7	55.1		10.4		7.7		
MT_40-100/S_						54.52		65.7	65.1		10.4		7.7		

* For Light Duty Ball Lock application reference page 8 and page 9

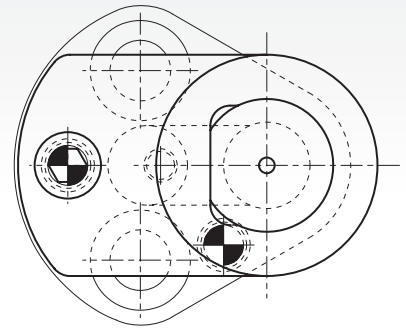
STANDARD STYLE RETAINER

HEAVY DUTY BALL LOCK

INCH

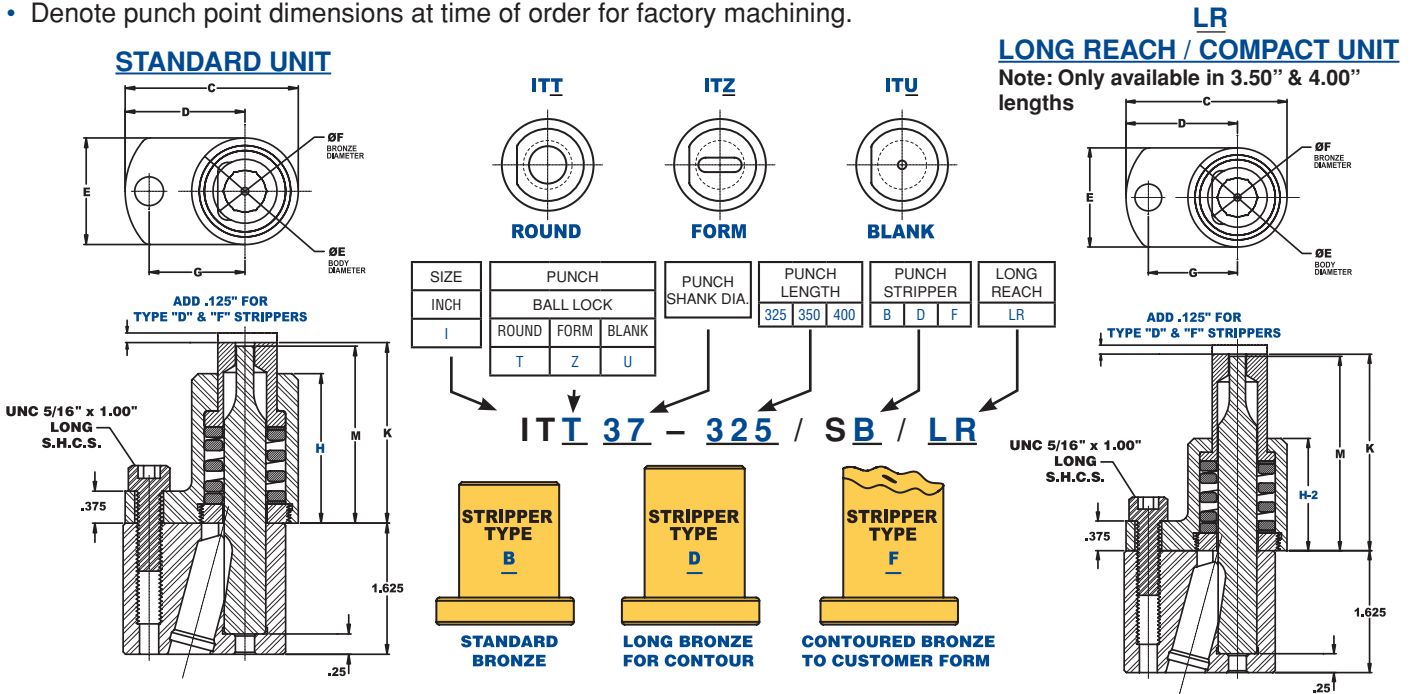


U.S. PATENT 7,581,475 • EUROPEAN PATENT 1922191 • CHINESE PATENT ZL200680033120.3 • ADDITIONAL INTERNATIONAL PATENTS PENDING



SPECIFY AT TIME OF ORDER:

- If retainer and punch are required, please purchase as additional line items at time of order.
- If panel contour is required on stripper face, please specify at time of order and provide surface data. P.O.R.
- Denote punch point dimensions at time of order for factory machining.



CAD FILES AVAILABLE FOR DOWNLOAD AT WWW.MOELLERPUNCH.COM

COMPLETE ASSEMBLY CATALOG NO.	C	D	E	F	G	H	H-2	K	M	STANDARD MAX TRAVEL FROM K-DIM. [BLUE]	LONG REACH/COMPACT MAX TRAVEL FROM K-DIM. [BLUE]	STANDARD MAX TRAVEL FROM K-DIM. [RED]	LONG REACH/COMPACT MAX TRAVEL FROM K-DIM. [RED]
IT_37-325/S_	1.87	1.34	1.06	0.59	1.06	1.47	1.47	1.91	1.88	0.33	0.33	0.25	0.25
IT_37-350/S_						1.84		2.17	2.13				
IT_37-400/S_						2.15		2.66	2.63				
IT_50-325/S_	2.13	1.48	1.31	0.79	1.18	1.47	1.47	1.91	1.88	0.32	0.32	0.26	0.26
IT_50-350/S_						1.84		2.17	2.13				
IT_50-400/S_						2.15		2.66	2.63				
IT_62-325/S_	2.31	1.52	1.57	1.06	1.25	1.47	1.47	1.91	1.88	0.37	0.37	0.29	0.29
IT_62-350/S_						1.84		2.17	2.13				
IT_62-400/S_						2.14		2.66	2.63				
IT_75-325/S_	2.58	1.67	1.81	1.3	1.32	1.47	1.47	1.91	1.88	0.36	0.36	0.29	0.29
IT_75-350/S_						1.84		2.17	2.13				
IT_75-400/S_						2.15		2.66	2.63				
IT_87-325/S_	2.68	1.73	1.91	1.38	1.4	1.49	1.47	1.91	1.88	0.40	0.40	0.29	0.29
IT_87-350/S_						1.84		2.17	2.13				
IT_87-400/S_						2.15		2.66	2.63				
IT_100-325/S_	2.95	1.86	2.19	2	1.6	1.47	1.47	1.91	1.88	0.38	0.38	0.30	0.30
IT_100-350/S_						1.84		2.17	2.13				
IT_100-400/S_						2.15		2.66	2.63				
IT_125-325/S_	3.11	1.86	2.5	2.35	1.6	1.47	1.47	1.91	1.88	0.33	0.33	0.28	0.28
IT_125-350/S_						1.84		2.17	2.13				
IT_125-400/S_						2.15		2.66	2.63				

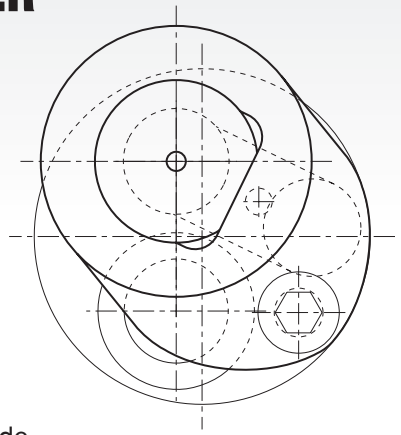
* For Light Duty Ball Lock application reference page 8 and page 9



ROUND ECONOMY STYLE RETAINER

HEAVY DUTY BALL LOCK

INCH

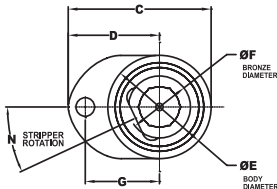


U.S. PATENT 7,581,475 • EUROPEAN PATENT 1922191 • CHINESE PATENT ZL200680033120.3 • ADDITIONAL INTERNATIONAL PATENTS PENDING

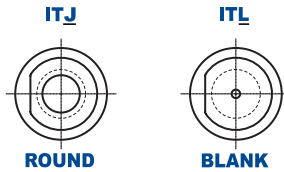
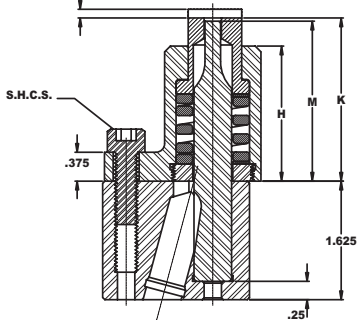
SPECIFY AT TIME OF ORDER:

- If retainer and punch are required, please purchase as additional line items at time of order.
- If panel contour is required on stripper face, please specify at time of order and provide surface data. P.O.R.
- Denote punch point dimensions at time of order for factory machining.

STANDARD UNIT

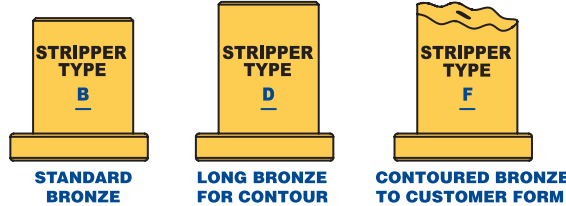


ADD .125" FOR TYPE "D" & "F" STRIPPERS



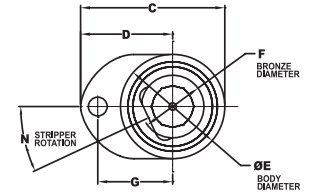
SIZE	PUNCH		PUNCH SHANK DIA.	PUNCH LENGTH			PUNCH STRIPPER			LONG REACH
INCH	ROUND	BLANK		325	350	400	B	D	F	LR
I	J	L								

ITJ 37 - 325 / SB / LR

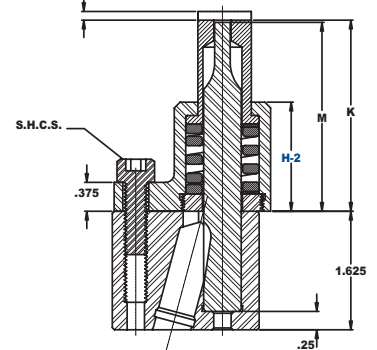


LR LONG REACH / COMPACT UNIT

Note: Only available in 3.50" & 4.00" lengths



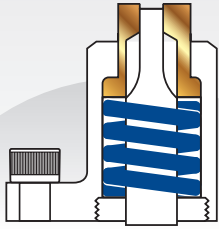
ADD .125" FOR TYPE "D" & "F" STRIPPERS



CAD FILES AVAILABLE FOR DOWNLOAD AT WWW.MOELLERPUNCH.COM

COMPLETE ASSEMBLY CATALOG NO.	C	D	E	F	G	H	H-2	K	M	N	STANDARD MAX TRAVEL FROM K-DIM. [BLUE]	LONG REACH/COMPACT MAX TRAVEL FROM K-DIM. [BLUE]	STANDARD MAX TRAVEL FROM K-DIM. [RED]	LONG REACH/COMPACT MAX TRAVEL FROM K-DIM. [RED]	S.H.C.S.
IT_37-325/S	1.57	1.04	1.06	0.59	0.83	1.47		1.91	1.88	22.5°	0.33		0.25		1/4" x 20 1.00 LONG
IT_37-350/S						1.84	1.47	2.17	2.13		0.33	0.25			
IT_37-400/S						2.15		2.66	2.63		0.33	0.25			
IT_50-325/S	1.81	1.16	1.31	0.79	0.94	1.47		1.91	1.88	25°	0.32		0.26		
IT_50-350/S						1.84	1.47	2.17	2.13		0.32	0.26			
IT_50-400/S						2.15		2.66	2.63		0.32	0.26			
IT_62-325/S	1.99	1.21	1.57	1.06	1	1.47		1.91	1.88	24.5°	0.37		0.29		
IT_62-350/S						1.84	1.47	2.17	2.13		0.37	0.29			
IT_62-400/S						2.14		2.66	2.63		0.37	0.29			
IT_75-325/S	2.34	1.44	1.81	1.3	1.18	1.47		1.91	1.88	22.0°	0.36		0.29		
IT_75-350/S						1.84	1.47	2.17	2.13		0.36	0.29			
IT_75-400/S						2.15		2.66	2.63		0.36	0.29			
IT_87-325/S	2.46	1.5	1.91	1.38	1.25	1.49		1.91	1.88	21.0°	0.40		0.29		
IT_87-350/S						1.84	1.49	2.17	2.13		0.40	0.29			
IT_87-400/S						2.15		2.66	2.63		0.40	0.29			
IT_100-325/S	2.69	1.59	2.18	2	1.32	1.47		1.91	1.88	23°	0.38		0.30		
IT_100-350/S						1.84	1.47	2.17	2.13		0.38	0.30			
IT_100-400/S						2.15		2.66	2.63		0.38	0.30			
IT_125-325/S	3.12	1.87	2.5	2.35	1.6	1.47		1.91	1.88	20°	0.33		0.28		
IT_125-350/S						1.84	1.47	2.17	2.13		0.33	0.28			
IT_125-400/S						2.15		2.66	2.63		0.33	0.28			

* For Light Duty Ball Lock application reference page 8 and page 9

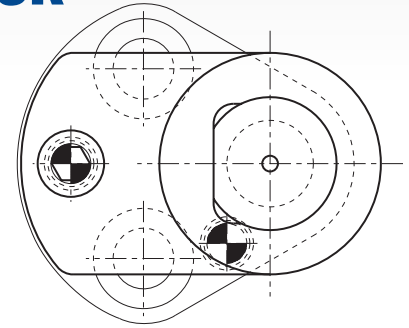


TRUE STRIP™

U.S. PATENT 7,581,475 • EUROPEAN PATENT 1922191
CHINESE PATENT ZL200680033120.3 • ADDITIONAL INTERNATIONAL PATENTS PENDING

SHOULDER STYLE & LIGHT DUTY BALL LOCK RETAINERS

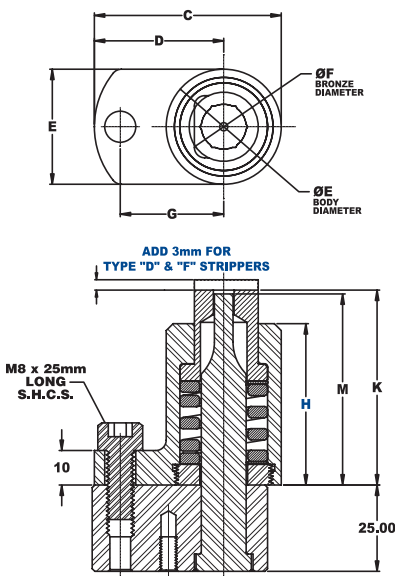
METRIC



SPECIFY AT TIME OF ORDER:

- If retainer and punch are required, please purchase as additional line items at time of order.
- If panel contour is required on stripper face, please specify at time of order and provide surface data. P.O.R.
- Denote punch point dimensions at time of order for factory machining.

STANDARD UNIT



MTX



ROUND

MTW



FORM

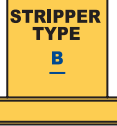
MTV



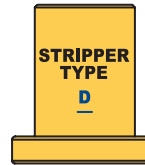
BLANK

SIZE	PUNCH			PUNCH SHANK DIA.	PUNCH LENGTH			PUNCH STRIPPER			LONG REACH
	SHOULDER STYLE				71	80	90	B	D	F	
METRIC	ROUND	FORM	BLANK								
M	X	W	V								LR

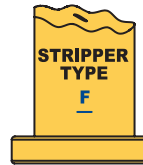
MTX 10 - 71 / SB / LR



STANDARD BRONZE



LONG BRONZE FOR CONTOUR

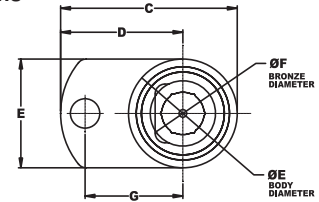


CONTOURED BRONZE TO CUSTOMER FORM

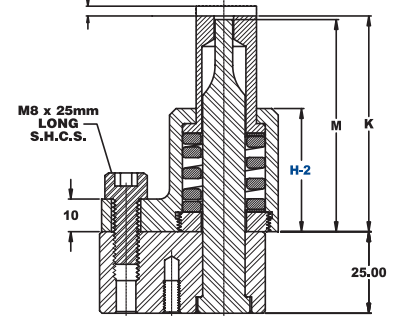
LR

LONG REACH / COMPACT UNIT

Note: Only available in 80mm & 90mm lengths



ADD 3mm FOR TYPE "D" & "F" STRIPPERS



CAD FILES AVAILABLE FOR DOWNLOAD AT WWW.MOELLERPUNCH.COM

COMPLETE ASSEMBLY CATALOG NO.	C	D	E	F	G	H	H-2	K	M	STANDARD MAX TRAVEL FROM K-DIM. [BLUE]	LONG REACH/COMPACT MAX TRAVEL FROM K-DIM. [BLUE]	STANDARD MAX TRAVEL FROM K-DIM. [RED]	LONG REACH/COMPACT MAX TRAVEL FROM K-DIM. [RED]
MT_10-71/S	47.4	33.9	27	15	26.9	37.74	37.74	46.6	46	8.3	8.3	6.3	6.3
MT_10-80/S						46.74		55.6	55				
MT_10-90/S						54.52		65.6	65				
MT_13-71/S	54.1	37.5	32.3	20	30	37.74	37.74	46.6	46	8.0	8.0	6.5	6.5
MT_13-80/S						46.74		55.6	55				
MT_13-90/S						54.52		65.6	65				
MT_16-71/S	58.7	38.7	40	27	31.8	37.74	37.74	46.6	46	9.4	9.4	7.4	7.4
MT_16-80/S						46.74		55.6	55				
MT_16-90/S						54.52		65.6	65				
MT_20-71/S	65.4	42.4	46.1	33	33.5	37.74	37.74	46.6	46	9.1	9.1	7.4	7.4
MT_20-80/S						46.74		55.6	55				
MT_20-90/S						54.52		65.6	65				
MT_25-71/S	74.9	47.1	55.6	42.5	40.6	37.74	37.74	46.6	46	10.1	10.1	8.4	8.4
MT_25-80/S						46.74		55.6	55				
MT_25-90/S						54.52		65.6	65				
MT_32-71/S	78.9	47.1	63.5	50.6	40.6	37.74	37.74	46.6	46	9.7	9.7	7.6	7.6
MT_32-80/S						46.74		55.6	55				
MT_32-90/S						54.52		65.6	65				

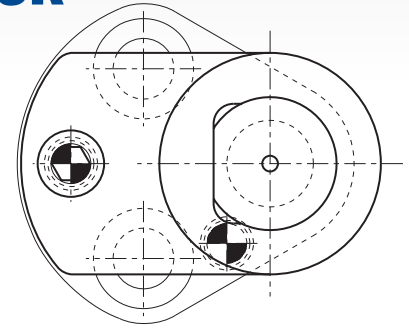


SHOULDER STYLE & LIGHT DUTY BALL LOCK RETAINERS INCH

U.S. PATENT 7,581,475 • EUROPEAN PATENT 1922191
CHINESE PATENT ZL200680033120.3 • ADDITIONAL INTERNATIONAL PATENTS PENDING

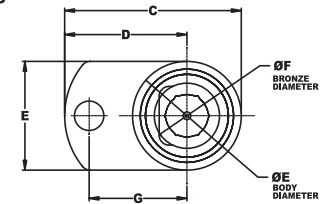
SPECIFY AT TIME OF ORDER:

- If retainer and punch are required, please purchase as additional line items at time of order.
- If panel contour is required on stripper face, please specify at time of order and provide surface data. P.O.R.
- Denote punch point dimensions at time of order for factory machining.

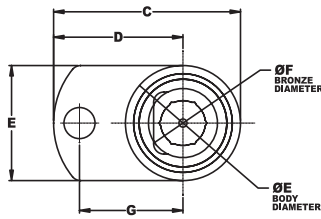


LR LONG REACH / COMPACT UNIT

Note: Only available in 3.50" & 4.00" lengths



STANDARD UNIT



ITX



ITW

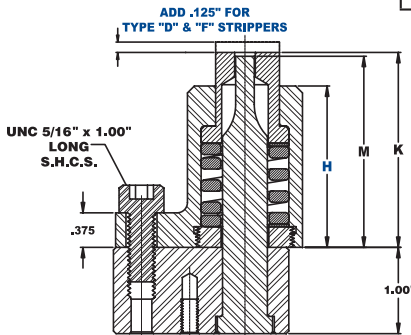
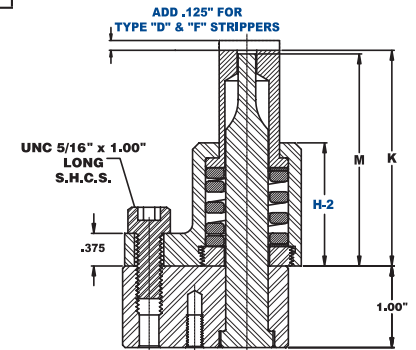
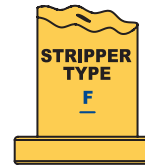
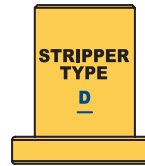
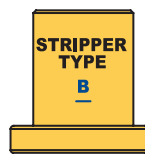


ITV



SIZE	PUNCH			PUNCH SHANK DIA.	PUNCH LENGTH			PUNCH STRIPPER			LONG REACH
INCH	SHOULDER STYLE				300	325	350	B	D	F	LR
I	ROUND	FORM	BLANK								
	X	W	V								

ITX 37 - 300 / SB / LR



CAD FILES AVAILABLE FOR DOWNLOAD AT WWW.MOELLERPUNCH.COM

COMPLETE ASSEMBLY CATALOG NO.	C	D	E	F	G	H	H-2	K	M	STANDARD MAX TRAVEL FROM K-DIM. [BLUE]	LONG REACH/COMPACT MAX TRAVEL FROM K-DIM. [BLUE]	STANDARD MAX TRAVEL FROM K-DIM. [RED]	LONG REACH/COMPACT MAX TRAVEL FROM K-DIM. [RED]		
IT_37-300/S	1.87	1.34	1.06	0.59	1.06	1.47	1.47	2.03	2	0.33	0.33	0.25	0.25		
IT_37-325/S						1.84								2.27	2.25
IT_37-350/S						2.15								2.52	2.5
IT_50-300/S	2.13	1.48	1.31	0.79	1.18	1.47	1.47	2.03	2	0.32	0.32	0.26	0.26		
IT_50-325/S						1.84								2.27	2.25
IT_50-350/S						2.15								2.52	2.5
IT_62-300/S	2.31	1.52	1.57	1.06	1.25	1.47	1.47	2.03	2	0.37	0.37	0.29	0.29		
IT_62-325/S						1.84								2.27	2.25
IT_62-350/S						2.14								2.52	2.5
IT_75-300/S	2.58	1.67	1.81	1.3	1.32	1.47	1.47	2.03	2	0.36	0.36	0.29	0.29		
IT_75-325/S						1.84								2.27	2.25
IT_75-350/S						2.15								2.52	2.5
IT_87-300/S	2.68	1.73	1.91	1.38	1.4	1.47	1.47	2.03	2	0.40	0.40	0.29	0.29		
IT_87-325/S						1.84								2.27	2.25
IT_87-350/S						2.15								2.52	2.5
IT_100-300/S	2.95	1.86	2.19	2	1.6	1.47	1.47	2.03	2	0.38	0.38	0.30	0.30		
IT_100-325/S						1.84								2.27	2.25
IT_100-350/S						2.15								2.52	2.5
IT_125-300/S	3.11	1.86	2.5	2.35	1.6	1.47	1.47	2.03	2	0.33	0.33	0.28	0.28		
IT_125-325/S						1.84								2.27	2.25
IT_125-350/S						2.15								2.52	2.5

TECHNICAL FEATURES & APPLICATION NOTES

Ordering:

- Unless optional spring is specified at time of order, all stripper units are shipped with blue-medium load springs.
- Standard style True-Strip units are adaptable to all industry standard ball lock and shoulder style retainers. The round economy style True-Strip units only adapt to the exclusive Moeller Round Economy Ball Lock Retainers.
- Please specify punch point dimensions when ordering True-Strip units. When machining True-Strip units in-house the factory recommended clearance between the stripper and the punch is .3mm per side for metric units and .012" for inch units.

Design/Application:

- Maximum punch entry is calculated by subtracting the difference of M and K dimensions from the published maximum travel.
- Standard design offers up to a 15° maximum pierce angle. Consult factory for special applications.
- Long Reach/Compact True-Strip units offer more clearance between the top of the bronze and the top of the housing, allowing the unit to function in close spaces.
- For custom multi-hole True-Strip unit applications consult factory. Reference Page 2 for examples.
- The Moeller True-Strip unit may be utilized as a punch guide for piercing when material thickness is large relative to the size of the punch point, or when piercing small holes at an angle applying side load and resulting in punch breakage.

Installation:

- The spring cap must be tightened to its positive stop to provide a flush mounting surface. If the cap is not fully engaged the True-Strip unit will not function properly.
- Standard hex wrench tools can be utilized for installation or removal of spring caps. Please reference hex tool sizes in the charts of this brochure. Moeller offers a unique universal hex tool that can be used for all sizes for removal of spring cap. Reference page 11.
- The spring may shift during installation of the spring cap creating interference during punch installation. The spring may be realigned by slightly tapping the stripper unit onto the punch.
- The designed overall length of each True-Strip unit is critical to prevent over stroking. All in-house alterations may result in failure if the proper amount of material is not removed from the face of the stripper.

Note: Moeller reserves the right to modify, correct or improve this literature without notice.

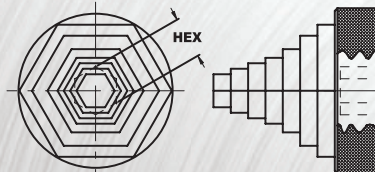
OPTIONAL STRIPPING FORCE SPRING SELECTION CHART

STRIPPER UNIT CATALOG INCH/METRIC	SUPER-LIGHT LOAD SPRING CATALOG NUMBER	STRIPPING FORCE		LIGHT LOAD SPRING CATALOG NUMBER	STRIPPING FORCE		UNLESS SPECIFIED STANDARD SPRING			HEAVY LOAD SPRING CATALOG NUMBER	STRIPPING FORCE			
		RATE PER MM	MAX DEF.		RATE PER MM	MAX DEF.	MEDIUM LOAD SPRING CATALOG NUMBER	STRIPPING FORCE			RATE PER MM	MAX DEF.		
								RATE PER MM	MAX DEF.					
IT_37-325/S_	RTS75-100	5LBS	26LBS	RLL75-100	13LBS	95LBS	RML75-100	22LBS	210LBS	RHL75-100	49LBS	370LBS		
MT_10-80/S_		22N	166N		56N	424N		98N	938N		216N	1650N		
IT_37-350/S_		4LBS	40LBS		10LBS	101LBS		16LBS	203LBS		16LBS	203LBS	38LBS	380LBS
MT_10-90/S_		18N	180N		45N	449N		73N	926N		73N	926N	168N	1690N
IT_50-325/S_	RTS100-100	9LBS	70LBS	RLL100-100	23LBS	175LBS	RML100-100	33LBS	306LBS	RHL100-100	84LBS	653LBS		
MT_13-80/S_		40N	310N		100N	777N		147N	1363N		375N	2903N		
IT_50-350/S_		7LBS	72LBS		41LBS	181LBS		27LBS	337LBS		27LBS	337LBS	67LBS	676LBS
MT_13-90/S_		32N	323N		80N	807N		118N	1474N		118N	1474N	297N	3007N
IT_62-325/S_	RTS125-100	10LBS	95LBS	RTL125-100	26LBS	237LBS	RTM125-100	43LBS	459LBS	RTH125-100	86LBS	746LBS		
MT_16-80/S_		46N	422N		115N	1054N		192N	2049N		383N	3317N		
IT_62-350/S_		8LBS	34LBS		21LBS	241LBS		42LBS	626LBS		42LBS	626LBS	87LBS	992LBS
MT_16-90/S_		37N	151N		94N	1072N		185N	2757N		185N	2757N	388N	4412N
IT_75-325/S_	RTS175-100	13LBS	112LBS	RTL175-100	32LBS	277LBS	RTM175-100	54LBS	560LBS	RTH175-100	108LBS	936LBS		
MT_20-80/S_		58N	497N		144N	1234N		240N	2491N		480N	4165N		
IT_75-350/S_		13LBS	126LBS		32LBS	313LBS		56LBS	705LBS		56LBS	705LBS	108LBS	1133LBS
MT_20-90/S_		58N	562N		144N	1395N		240N	3136N		240N	3136N	480N	5039N
IT_87-325/S_	RTS200-100	14LBS	125LBS	RTL200-100	36LBS	310LBS	RTM200-100	60LBS	688LBS	RTH200-100	119LBS	1032LBS		
N/A		64N	555N		159N	1378N		265N	3061N		530N	4589N		
IT_87-350/S_		14LBS	139LBS		36LBS	346LBS		60LBS	737LBS		60LBS	737LBS	119LBS	1153LBS
N/A		64N	620N		159N	1540N		265N	3280N		265N	3280N	530N	5129N
IT_100-325/S_	RTS215-100	15LBS	149LBS	RTL215-100	38LBS	375LBS	RTM215-100	64LBS	728LBS	RTH215-100	128LBS	1238LBS		
MT_25-80/S_		68N	664N		171N	1670N		285N	3237N		570N	5506N		
IT_100-350/S_		21LBS	225LBS		41LBS	440LBS		64LBS	780LBS		64LBS	780LBS	135LBS	1404LBS
MT_25-90/S_		92N	1002N		180N	1960N		285N	3470N		285N	3470N	600N	6245N
IT_100-400/S_	RTS215-125	21LBS	185LBS	RTL215-100	52LBS	464LBS	RTM225-100	86LBS	943LBS	RTH225-100	172LBS	1526LBS		
MT_32-80/S_		92N	825N		230N	2063N		383N	4167N		767N	6788N		
IT_125-325/S_		21LBS	192LBS		52LBS	480LBS		86LBS	1152LBS		86LBS	1152LBS	172LBS	1598LBS
MT_32-90/S_		92N	854N		230N	2136N		383N	5122N		383N	5122N	767N	7108N
IT_125-400/S_	RTS225-100	26LBS	229LBS	RTL275-100	65LBS	574LBS	RTM275-100	108LBS	1044LBS	RTH275-100	216LBS	1830LBS		
MT_40-80/S_		115N	1020N		288N	2554N		480N	4646N		960N	8138N		
IT_125-350/S_		26LBS	237LBS		65LBS	595LBS		108LBS	1295LBS		108LBS	1295LBS	216LBS	2007LBS
MT_32-100/S_		115N	1057N		288N	2646N		480N	5760N		480N	5760N	960N	8926N
N/A	RTS275-100	26LBS	229LBS	RTL275-100	65LBS	574LBS	RTM275-100	108LBS	1044LBS	RTH275-100	216LBS	1830LBS		
MT_40-80/S_		115N	1020N		288N	2554N		480N	4646N		960N	8138N		
IT_125-400/S_		26LBS	237LBS		65LBS	595LBS		108LBS	1295LBS		108LBS	1295LBS	216LBS	2007LBS
MT_40-90/S_		115N	1057N		288N	2646N		480N	5760N		480N	5760N	960N	8926N
N/A	RTS275-125	26LBS	237LBS	RTL275-125	65LBS	595LBS	RTM275-125	108LBS	1295LBS	RTH275-125	216LBS	2007LBS		
MT_40-100/S_		115N	1057N		288N	2646N		480N	5760N		480N	5760N	960N	8926N
		Light Green		Green		Blue			Red					

NEWTONS/LBS CONVERSION: 1 NEWTON = .2248089 LBS.

Alternate Spring Load Order Example: MTT013-090/SB Red

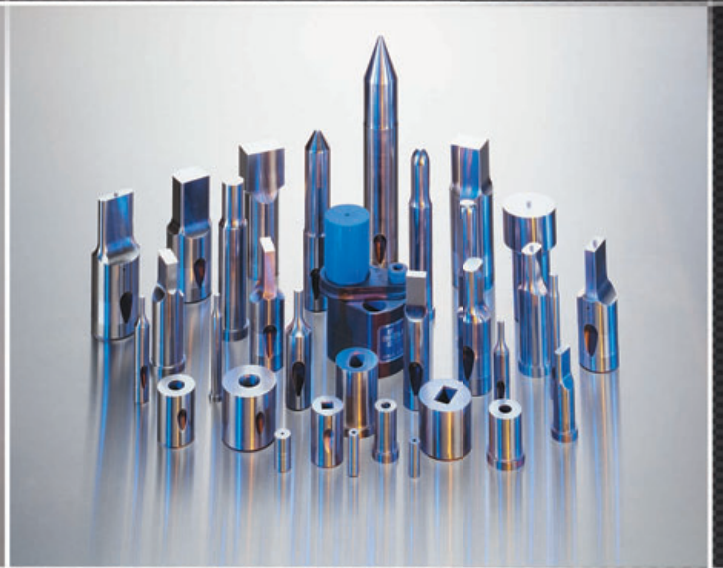
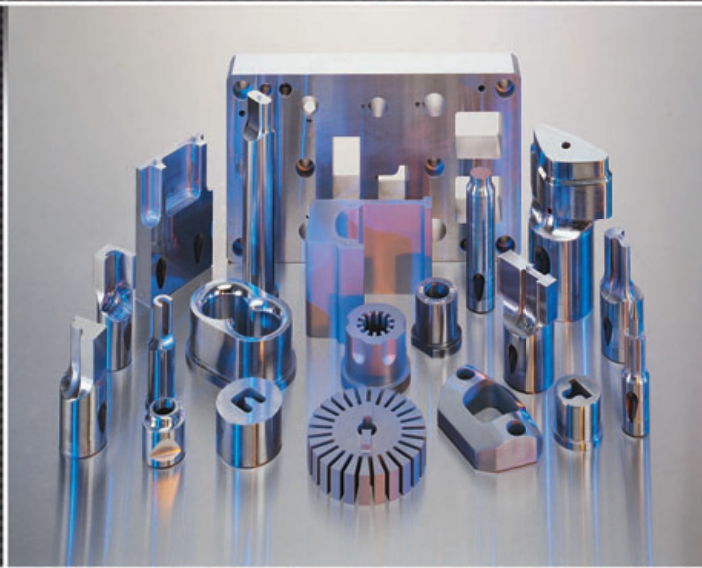
**MAINTENANCE HEX TOOL
(FOR SPRING REPLACEMENT)
CATALOG NO. METRIC: MTA01
INCH: ITA01**





Your Global Partner for Standard and Special Die Components

www.MoellerMCAD.com



STANDARD CATALOG ITEMS: PUNCHES • DIE BUTTONS • RETAINERS • STRIPPERS • DIE SPRINGS

CUSTOM MADE SPECIAL DETAILS: SPECIAL SHAPED PIERCING COMPONENTS • COMPLEX TRIMMING, FORMING, COINING AND BENDING TOOLS • PILOTS, GUIDING MEMBERS, LOCATING AND TRANSFERRING COMPONENTS



MOELLER PRECISION TOOL - CORPORATE HEADQUARTERS

30893 CENTURY DRIVE • WIXOM, MICHIGAN 48393

PH: 248.668.1166 • FX: 248.668.1004 • TOLL FREE 800.521.7613



MOELLER PRECISION TOOL - SOUTH

7116 CROSSROADS BLVD. • BRENTWOOD TENNESSEE 37027

PH: 615.373.3431 • FX: 615.371.9190 • TOLL FREE 800.227.7019



MOELLER MANUFACTURING DE MEXICO

CIRCUITO EL MARQUES SUR# 43 • PARQUE INDUSTRIAL EL MARQUES
EL MARQUES, QUERETARO C.P. 76246

PH: 442.253.12.00 • FX: 442.253.12.01 • www.moellerdemexico.com.mx

E-Quote: quote@moellerpunch.com • www.moellerprecisiontool.com

REV. 3/2014
Catalog: TrueStrip
© Copyright 2014